

# SYSTEM SOLUTION FOR REFRIGERATION



## About OASIS



OASIS Refrigeration Equipment Co., Ltd is a high technology comprehensive enterprises, which is engaged in design, research , production ,marketing and installation. We insist our motto of “effort exploitation continuously enterprising, Strive for excellent”, having provided good cold storage, installation and after-service for hotel industry food processing, Vegetable and Fruit Showers, Biopharmaceutical and Supermarkets etc. in domestic and abroad.

We can produce various specification PU plates with import advanced technology , and strive for excellent continuously. We take automatic assembly line equipments throughout the whole production process ,plate cutting-table flap -swaging-get into shape ,make them beautiful ,stable ,antiseptic and durable ,we can offer color steel plates ,aluminum embossed plates ,galvanised plates and stainless steel plates .



Certificates..... 04  
 Specification..... 07  
 CNKOLD curved corner series..... 09  
 CNODS right angle series..... 11  
 Types of doors..... 13  
 Blast chillers/freezers..... 21  
 Solid waste refrigerator..... 23  
 Cooperative partner..... 25  
 Project case..... 27

OASIS Scope of application



Hotel catering industry



Hospital medical treatment



Food production industry



Logistics cold chain



Staff restaurant



Ship

certificate

Certificates

- QS Industrial production license
- CE Certificate (Coldroom panel & door)
- B1 Fire inspection report
- B2 Fire inspection report
- SGS test report (single material)
- SGS test report (composite material)



| 序号 No. | 检验项目 Inspection Item | 技术要求 Technical requirements   | 检验数据 Inspected data     | 评价 Evaluation |
|--------|----------------------|---|-------------------------|---------------|
| 1      | 密度                   | 发泡剂发泡量符合GB 10801.1-2006第5.2.1条的要求; 发泡剂发泡量符合GB 10801.1-2006第5.2.1条的要求; 发泡剂发泡量符合GB 10801.1-2006第5.2.1条的要求 | 40.12 kg/m <sup>3</sup> | 合格            |
| 2      | 抗压强度                 | 发泡剂发泡量符合GB 10801.1-2006第5.2.1条的要求; 发泡剂发泡量符合GB 10801.1-2006第5.2.1条的要求; 发泡剂发泡量符合GB 10801.1-2006第5.2.1条的要求 | 164 kPa                 | 合格            |
| 3      | 导热系数                 | 发泡剂发泡量符合GB 10801.1-2006第5.2.1条的要求; 发泡剂发泡量符合GB 10801.1-2006第5.2.1条的要求; 发泡剂发泡量符合GB 10801.1-2006第5.2.1条的要求 | 0.020 W/m·K             | 合格            |
| 4      | 抗拉强度                 | 发泡剂发泡量符合GB 10801.1-2006第5.2.1条的要求; 发泡剂发泡量符合GB 10801.1-2006第5.2.1条的要求; 发泡剂发泡量符合GB 10801.1-2006第5.2.1条的要求 | 0.141 MPa               | 合格            |
| 5      | 抗冲击性能                | 发泡剂发泡量符合GB 10801.1-2006第5.2.1条的要求; 发泡剂发泡量符合GB 10801.1-2006第5.2.1条的要求; 发泡剂发泡量符合GB 10801.1-2006第5.2.1条的要求 | 6.63 mm                 | 合格            |
| 6      | 尺寸公差                 | 长度  | 0 mm                    | 合格            |
|        |                      | 宽度  | -1 mm                   | 合格            |
|        |                      | 厚度  | 0 mm                    | 合格            |
|        |                      | 对角线   | 0 mm                    | 合格            |
| 7      | 外观质量                 | 发泡剂发泡量符合GB 10801.1-2006第5.2.1条的要求; 发泡剂发泡量符合GB 10801.1-2006第5.2.1条的要求; 发泡剂发泡量符合GB 10801.1-2006第5.2.1条的要求 |                         | 合格            |

Inspection report of combined cold storage



# Test Report

| 序号                        | 检测项目                          | 单位                             | 标准要求   | 检测结果   | 备注/评价 |
|---------------------------|-------------------------------|--------------------------------|--------|--------|-------|
| 单板式建筑材料制品燃烧性能等级B1(B)      |                               |                                |        |        |       |
| 1                         | 燃烧增长率R <sub>g</sub>           | W/s                            | ≤120   | 24.2   | 合格    |
| 2                         | 火焰传播速度LFS                     | mm/s                           | <试验结束  | 符合标准要求 | 合格    |
| 3                         | 600s内质量损失量THR <sub>600s</sub> | MJ                             | ≤7.5   | 1.7    | 合格    |
| 4                         | 600s内质量损失量F <sub>600s</sub>   | mm                             | ≤150   | 25     | 合格    |
| 5                         | 600s内质量损失量F <sub>600s</sub>   | mm                             | ≤150   | 33     | 合格    |
| 6                         | 炭化层OI                         | %                              | ≤30    | 33.4   | 合格    |
| 单板式建筑材料制品产热性能等级S2         |                               |                                |        |        |       |
| 7                         | 热释放速率峰值SMOGR <sub>RA</sub>    | m <sup>2</sup> /s <sup>2</sup> | ≤180   | 10.8   | 合格    |
| 8                         | 600s内总热释放量TSP <sub>600s</sub> | MJ                             | ≤200   | 56.7   | 合格    |
| 单板式建筑材料制品燃烧性能等级B1(B)的等级D0 |                               |                                |        |        |       |
| 9                         | 燃烧速率R <sub>g</sub> /炭化层OI     | mm/s                           | 符合标准要求 | 符合标准要求 | 合格    |

Test Report of Combustion Performance Level B1

| 序号                   | 检测项目                        | 单位 | 标准要求 | 检测结果 | 备注/评价 |
|----------------------|-----------------------------|----|------|------|-------|
| 单板式建筑材料制品燃烧性能等级B2(B) |                             |    |      |      |       |
| 1                    | 200s内质量损失量F <sub>200s</sub> | mm | ≤150 | 21   | 合格    |
| 2                    | 200s内质量损失量F <sub>200s</sub> | mm | ≤150 | 27   | 合格    |
| 3                    | 炭化层OI                       | %  | ≤26  | 30.2 | 合格    |

Test Report of Combustion Performance Level B2

# Test Report

**CERTIFICATE OF COMPLIANCE**  
Certificado de Conformidade - Сертификат соответствия - Konformitätsklärung

1) APPLICANT: Hailuoh Oasis Refrigeration Equipment Co., Ltd  
2) CERTIFICATE NO.: IT0216020816227

3) WITH REFERENCE TO EC DIRECTIVE APPLIED: Regulation for the Marketing of Construction Products (EU) 2011/352

4) CERTIFICATION ISET MARK: TCFSD NO.: TCF(16)-732-2-CPR

5) PRODUCT CHARACTERISTICS: Coldroom Panel  
MODELS: Standard width 1100mm, Standard thickness 50mm, 75mm, 100mm, 120mm, 150mm, 175mm, 200mm

6) DATE OF ISSUE: 27/12/2016 DATE OF EXPIRE: 26/12/2021

CE Certification of Refrigerator Board

**CERTIFICATE OF COMPLIANCE**  
Certificado de Conformidade - Сертификат соответствия - Konformitätsklärung

1) APPLICANT: Hailuoh Oasis Refrigeration Equipment Co., Ltd  
2) CERTIFICATE NO.: IT0216020816227

3) WITH REFERENCE TO EC DIRECTIVE APPLIED: Regulation for the Marketing of Construction Products (EU) 2011/352

4) CERTIFICATION ISET MARK: TCFSD NO.: TCF(16)-732-1-CPR

5) PRODUCT CHARACTERISTICS: Coldroom Door  
MODELS: Stock Size Length\*Width 700mm\*1700mm, 800mm\*1900mm, 2000mm\*2500mm, 3000mm\*4000mm

6) DATE OF ISSUE: 27/12/2016 DATE OF EXPIRE: 26/12/2021

CE Certification of Refrigerator Door

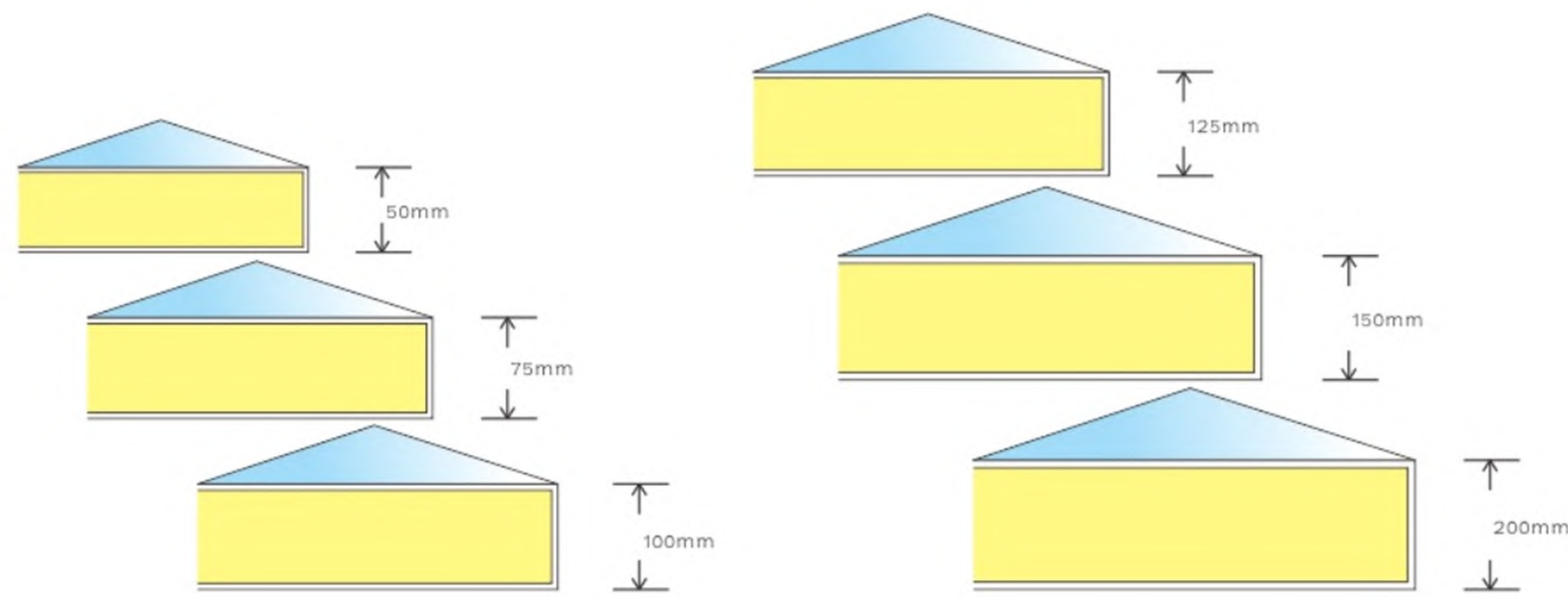
| 测试方法                                    | 参数  | 样品数量 | 结果   |
|---|---|------|------|
| EN 13823:2010+A1:2014                   | FIGRA <sub>0.2m</sub> (W/s)                           | 3    | 51.6 |
|   | THR <sub>600s</sub> (MJ)                              |      | 1.4  |
|   | SMOGR <sub>RA</sub> (m <sup>2</sup> /s <sup>2</sup> ) |      | 7.1  |
|   | TSP <sub>600s</sub> (MJ)                              |      | 47.9 |
| EN ISO 11925-2:2010+AC:2011<br>点火时间=30s | 焰尖高度F <sub>s</sub> ≤150mm(是/否)                        | 6    | 是    |
|   | 热辐射强度I <sub>RF</sub> ≤1.2kW/m <sup>2</sup> (是/否)      |      | 是    |

Insulation sandwich board for combined cold storage  
SGS Fire Detection Report



### Specification parameters of cold storage plate:

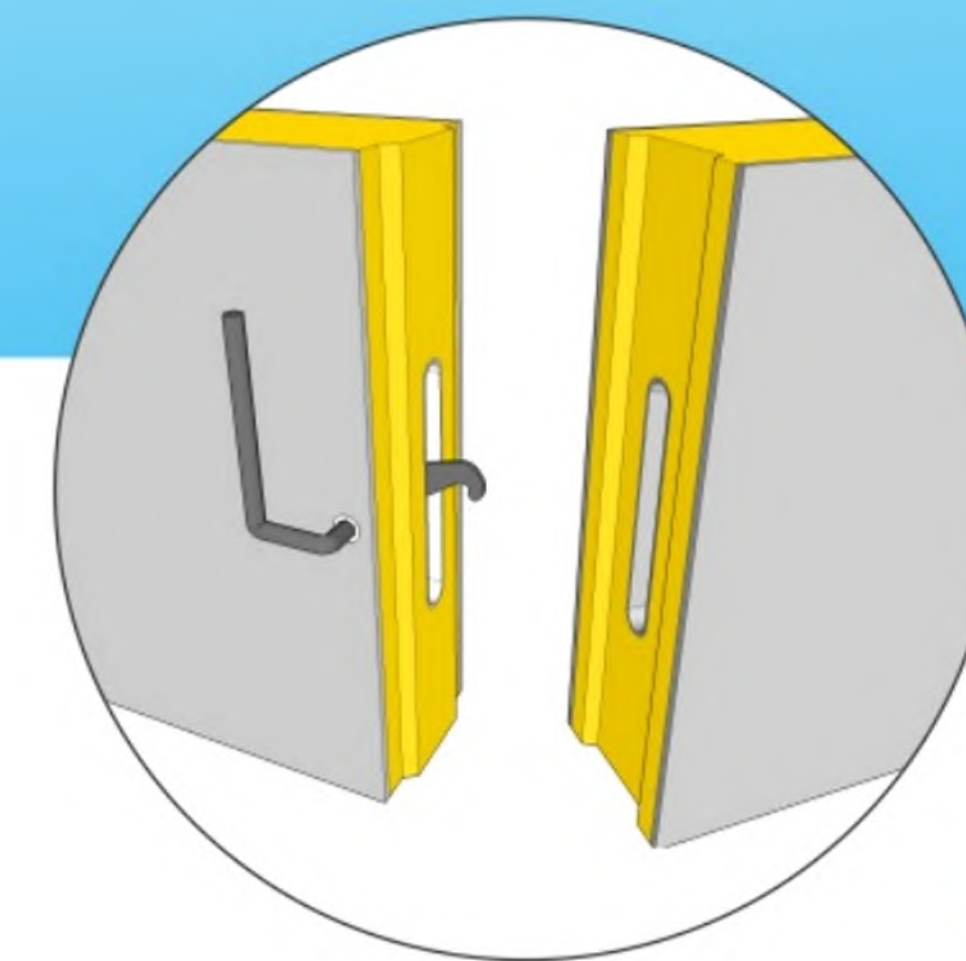
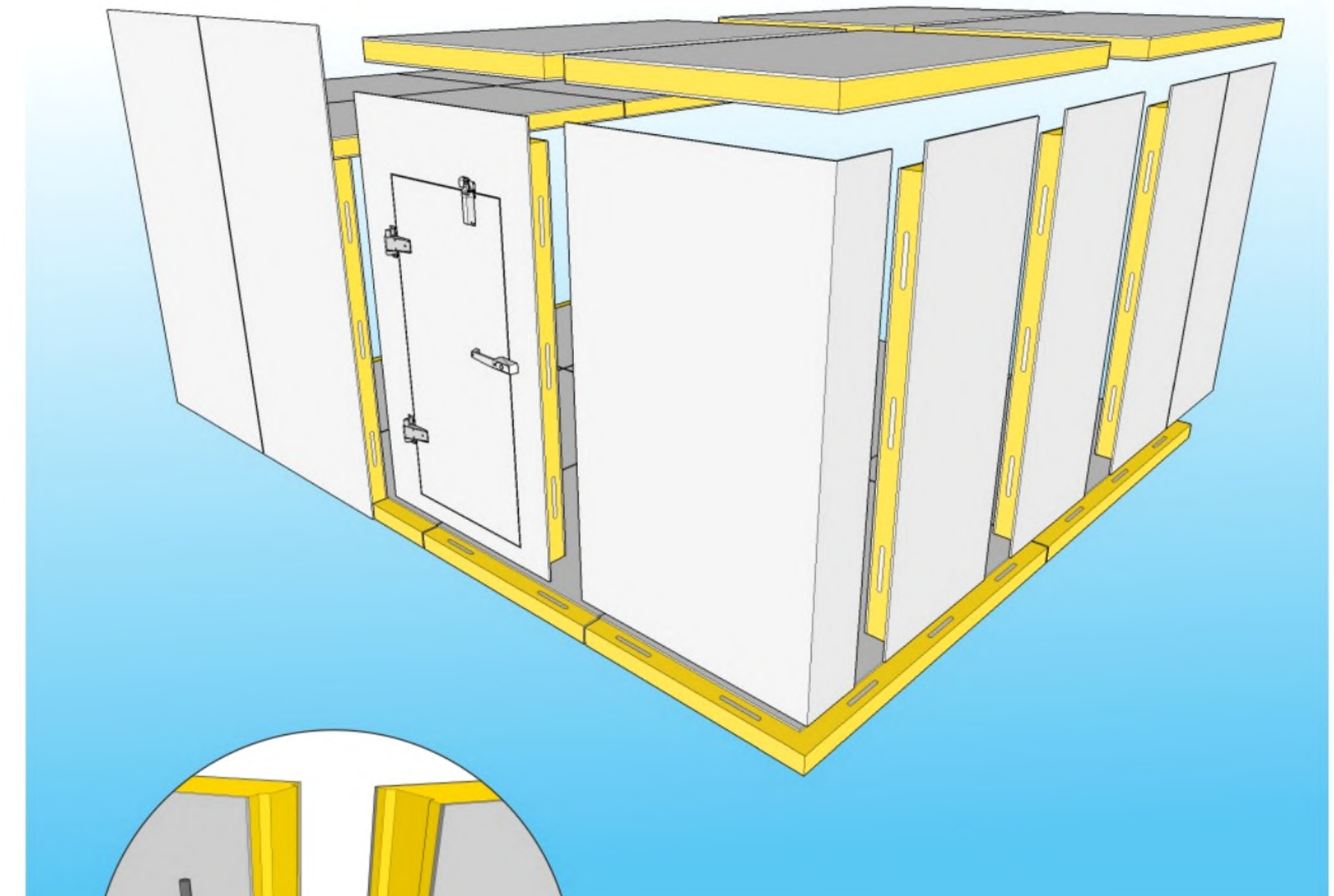
| Thickness             | MM     | 50    | 75     | 100    | 125    | 150    | 200    |
|-----------------------|--------|-------|--------|--------|--------|--------|--------|
| Thermal conductivity  | W(M.K) | 0.27  | 0.24   | 0.18   | 0.17   | 0.16   | 0.14   |
| Operating temperature | ℃      | ≥ 5℃  | ≥ -5℃  | ≥ -25℃ | ≥ -30℃ | ≥ -35℃ | ≥ -45℃ |
| Extremity temperature | ℃      | ≥ -5℃ | ≥ -10℃ | ≥ -30℃ | ≥ -35℃ | ≥ -40℃ | ≥ -50℃ |



### Temperature for each thickness

| External temperature 35℃ | Operating temperature ℃ |    |    |    |   |   |    |     |     |     |     |     |     |     |     |     |  |  |  |  |
|--------------------------|-------------------------|----|----|----|---|---|----|-----|-----|-----|-----|-----|-----|-----|-----|-----|--|--|--|--|
|                          | 25                      | 20 | 15 | 10 | 5 | 0 | -5 | -10 | -15 | -20 | -25 | -30 | -35 | -40 | -45 | -50 |  |  |  |  |
| 50mm                     | █                       |    |    |    |   |   |    |     |     |     |     |     |     |     |     |     |  |  |  |  |
| 75mm                     | █                       |    |    |    |   |   |    |     |     |     |     |     |     |     |     |     |  |  |  |  |
| 100mm                    | █                       |    |    |    |   |   |    |     |     |     |     |     |     |     |     |     |  |  |  |  |
| 125mm                    | █                       |    |    |    |   |   |    |     |     |     |     |     |     |     |     |     |  |  |  |  |
| 150mm                    | █                       |    |    |    |   |   |    |     |     |     |     |     |     |     |     |     |  |  |  |  |
| 200mm                    | █                       |    |    |    |   |   |    |     |     |     |     |     |     |     |     |     |  |  |  |  |

### Coldroom panel assembly diagram







**Round Corner Series-combination cold room**

Product Name: combination cold room  
 Brand: OASIS  
 Series: CNKOLD  
 Model: CNK-  
 Place of Origin: GuangDong  
 Electromechanical Conditions: 220V/50Hz

**Product Technical Description:**

The cold storage plate assembly design can be disassembled and assembled many times at will. The joints are sealed with vinyl cushion to ensure the air tightness of the cold storage. Its anti-seepage property enables the cold storage plate to be cleaned by sprinkler.

The corner of ceiling and wallboard, the corner of wallboard and platform in cold storage are formed by one-time arc foaming (> R16mm) in order to facilitate cleaning.

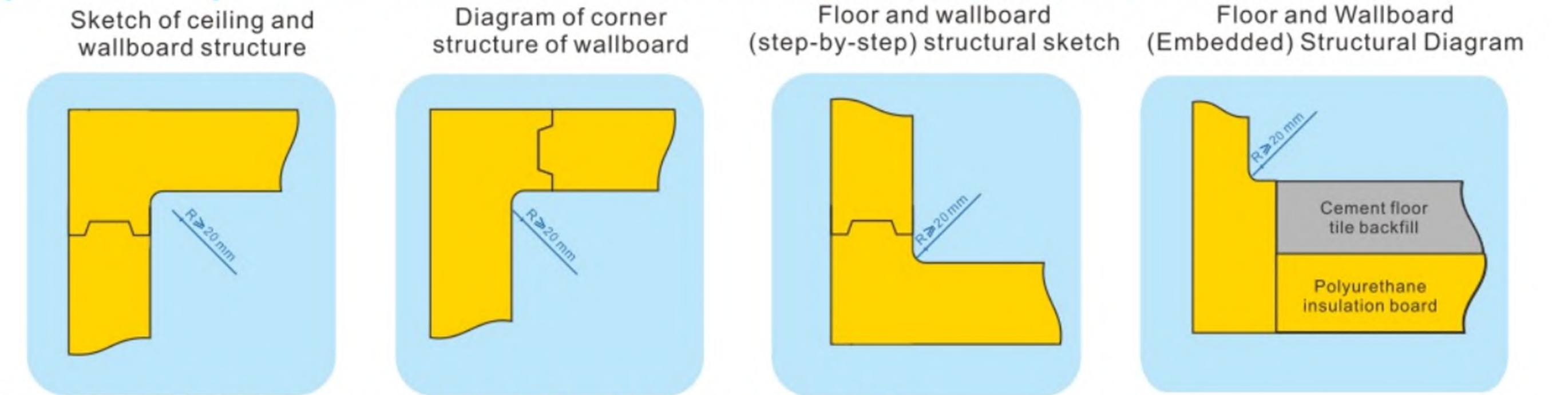
The insulation material used in the heat insulation layer of the storage plate is polyurethane foam insulation material, which meets the requirements of GB/T6527-2006 standard for sandwich panels used in combined refrigeration stores. The density of the insulation layer is more than 40+2KG/m<sup>3</sup>; the compressive strength is more than 160kPa; the thermal conductivity is less than 0.024W/m.K; the bonding strength is more than 0.100MPa;

and the bending load-carrying capacity is less than 8.80mm.

Customized cam eccentric hook is used to connect the cold storage plate with the storage plate for quick self-locking installation; the cam hook lock adopts zinc alloy rotary shaft, and the pull force of the cam eccentric hook is more than 1.5 kPa, which ensures that the hook lock function will not be lost after many rotations and prevents leakage of cold. The number of cam eccentric hooks per warehouse plate is defined as 800 mm per long end and 590 mm per wide end.

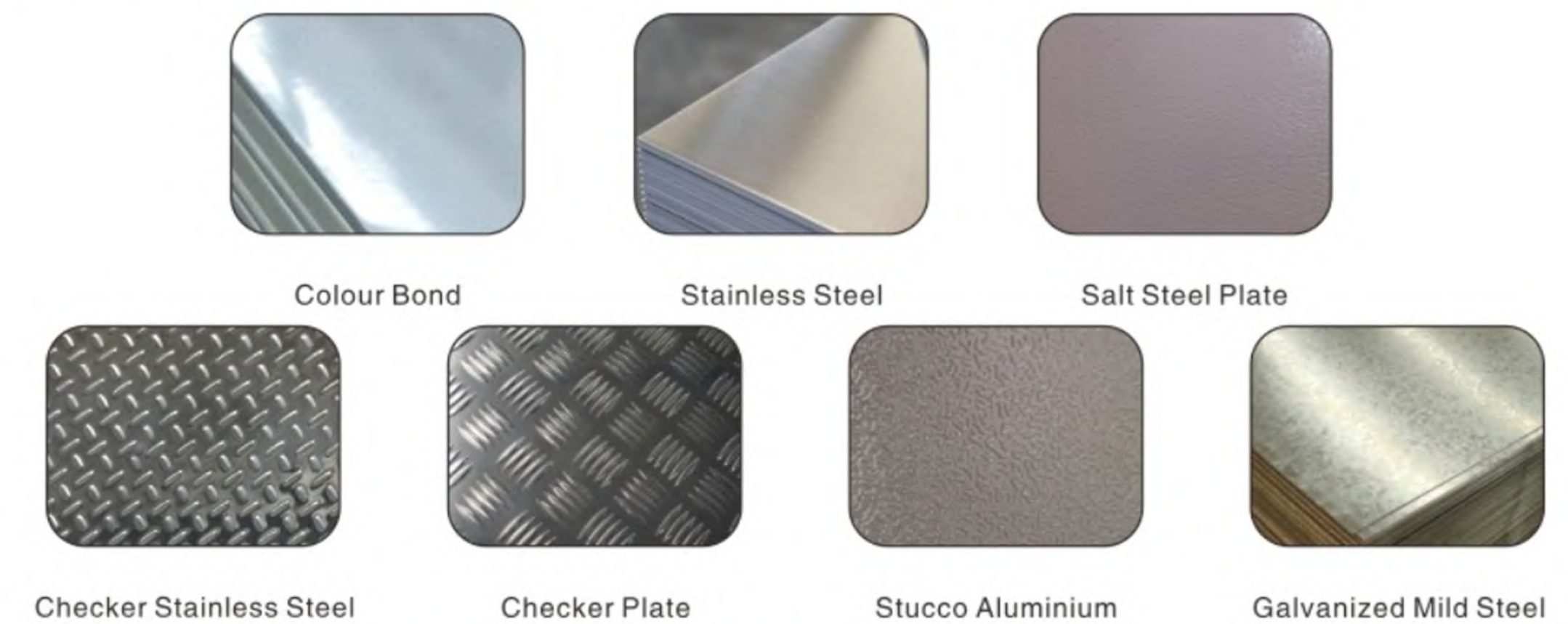
Cold storage with temperature below (-10 C) is equipped with stainless steel pressure balance window and electric heating device to prevent deformation of the reservoir body caused by excessive external pressure difference, and the junction of electric wires can not be outside.

**(CNKOLD)Structural sketch of round corner coldroom**



**Surface Metal Material of Refrigerator Plate**

The surface metal materials of cold storage are stainless steel plate, embossed aluminium plate, salt steel plate, coloured steel plate, galvanized steel plate and other materials and thickness can be selected.



**Naming Rules for Refrigerator Plates**

| CNKOLD Round Corner Series, Abbreviation: CNK |                             |                             |                             |                             |                           |                           |                            |                           |
|---|-----------------------------|-----------------------------|-----------------------------|-----------------------------|---------------------------|---------------------------|----------------------------|---------------------------|
| Model   | Ceiling materials           |                             | Wallboard material          |                             | Floor Material (Embedded) |                           | Floor Material (Step-in)   |                           |
|   | In Library                  | Outside library             | In Library                  | Outside library             | In Library                | Outside library           | In Library                 | Outside library           |
| CNK-SS08                                      | 0.8mm<br>Stainless steel    | 0.8mm<br>Stainless steel    | 0.8mm<br>Stainless steel    | 0.8mm<br>Stainless steel    | 0.5mm<br>Galvanized sheet | 0.5mm<br>Galvanized sheet | 3.0mm<br>Antiskid Aluminum | 0.5mm<br>Galvanized sheet |
| CNK-SC08                                      | 0.8mm<br>Stainless steel    | 0.8mm<br>Color steel plate  | 0.8mm<br>Stainless steel    | 0.8mm<br>Color steel plate  | 0.5mm<br>Galvanized sheet | 0.5mm<br>Galvanized sheet | 3.0mm<br>Antiskid Aluminum | 0.5mm<br>Galvanized sheet |
| CNK-SP08                                      | 0.8mm<br>Salinized steel    | 0.8mm<br>Salinized steel    | 0.8mm<br>Salinized steel    | 0.8mm<br>Salinized steel    | 0.5mm<br>Galvanized sheet | 0.5mm<br>Galvanized sheet | 3.0mm<br>Antiskid Aluminum | 0.5mm<br>Galvanized sheet |
| CNK-SA08                                      | 0.8mm<br>Embossed aluminium | 0.8mm<br>Embossed aluminium | 0.8mm<br>Embossed aluminium | 0.8mm<br>Embossed aluminium | 0.5mm<br>Galvanized sheet | 0.5mm<br>Galvanized sheet | 3.0mm<br>Antiskid Aluminum | 0.5mm<br>Galvanized sheet |
| CNK-CB08                                      | 0.8mm<br>Color steel plate  | 0.8mm<br>Color steel plate  | 0.8mm<br>Color steel plate  | 0.8mm<br>Color steel plate  | 0.5mm<br>Galvanized sheet | 0.5mm<br>Galvanized sheet | 3.0mm<br>Antiskid Aluminum | 0.5mm<br>Galvanized sheet |

Examples of Cold Storage Types:

CNK SS 08  
 Round Corner Series Stainless steel Surface metal thickness

Add "C" after the model to indicate that the corner of the ceiling and wall panels and wall panels of the cold storage adopts rounded corner technology, and the wall panels and floor are mined. The right angle process is used.

Add "F" after the model to indicate that the corner of cold storage floor and wallboard and wallboard is made by rounded angle technology, and the right angle technology is used for wallboard and floor.

The "W" is added after the model to indicate that the corner of the wall plate of the cold storage adopts the rounded corner process, while the right angle process is used for the wall plate and floor, wall plate and ceiling.

Add "R" after the model to indicate that the cold storage ceiling and wallboard, wallboard corner, wallboard and floor adopt rounded corner technology.

Add "1" after model to indicate B1 flame retardant grade, and add "2" after model to indicate B2 flame retardant grade.

"H" is added after the model to indicate that the cold storage process adopts a concealed structure.

Adding "X" after the model indicates that the floor of the cold storage is made of XPS thermal insulation material.

"K" is added after the model to indicate that the "KASON" hinge imported from the United States is used for the cold storage door.

Add "G" after the model to indicate the addition of glass observation window to the cold storage door.

Add "B" after the model to indicate that stainless steel anti-collision plate is added to the cold storage door.

The addition of "T" after the model indicates that the low temperature cold storage (< 5 C) increases the floor antifreeze heating line.





**Right angle series-combination cold room**

Product Name: combination cold room  
 Brand: OASIS  
 Series: CNODS  
 Model: CNO-  
 Place of Origin: GuangDong  
 Electromechanical Conditions: 220V/50Hz

**Product Technical Description:**

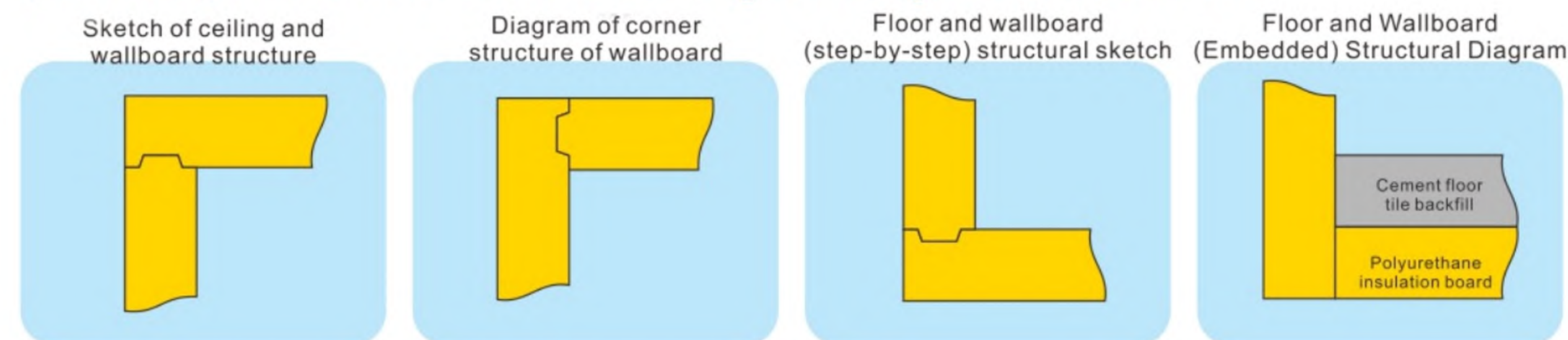
The cold storage plate assembly design can be disassembled and assembled many times at will. The joints are sealed with vinyl cushion to ensure the air tightness of the cold storage. Its anti-seepage property enables the cold storage plate to be cleaned by sprinkler.

The insulation material used in the heat insulation layer of the storage plate is polyurethane foam insulation material, which meets the requirements of GB/T6527-2006 standard for sandwich panels used in combined refrigeration stores. The density of the insulation layer is more than 40+2KG/m<sup>3</sup>; the compressive strength is more than 160kPa; the thermal conductivity is less than 0.024W/m.K; the bonding strength is more than 0.100MPa; and the bending load-carrying capacity is less than 8.80mm.

Customized cam eccentric hook is used to connect the cold storage plate with the storage plate for quick self-locking installation; the cam hook lock adopts zinc alloy rotary shaft, and the pull force of the cam eccentric hook is more than 1.5 kPa, which ensures that the hook lock function will not be lost after many rotations and prevents leakage of cold. The number of cam eccentric hooks per warehouse plate is defined as 800 mm per long end and 590 mm per wide end.

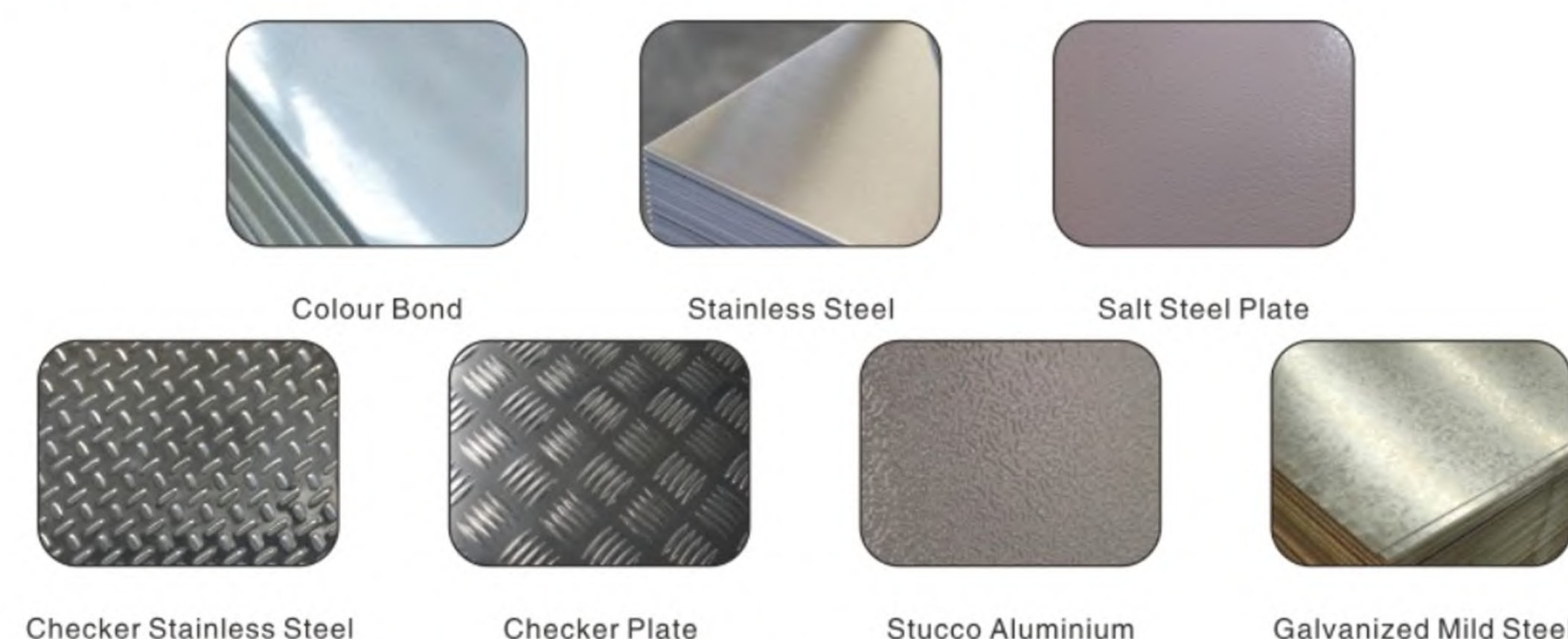
The cold storage with temperature below (-10 C) is equipped with stainless steel pressure balance window and electric heating device to prevent deformation of the storage body due to excessive external pressure difference. The electrical wiring connection can not be exposed. The cold storage top connection should be inserted from the inside of the storage plate.

**(CNODS)Structural sketch of right angle coldroom**



**Surface Metal Material of Refrigerator Plate**

The surface metal materials of cold storage are stainless steel plate, embossed aluminium plate, salt steel plate, coloured steel plate, galvanized steel plate and other materials and thickness can be selected.



**Naming Rules for Refrigerator Plates**

| CNODS Right angle series. Abbreviation: CNO |                             |                             |                             |                             |                           |                           |                            |                           |
|---|-----------------------------|-----------------------------|-----------------------------|-----------------------------|---------------------------|---------------------------|----------------------------|---------------------------|
| Model                                       | Ceiling materials           |                             | Wallboard material          |                             | Floor Material (Embedded) |                           | Floor Material (Step-in)   |                           |
|   | In Library                  | Outside library             | In Library                  | Outside library             | In Library                | Outside library           | In Library                 | Outside library           |
| CNO-SS08                                    | 0.8mm<br>Stainless steel    | 0.8mm<br>Stainless steel    | 0.8mm<br>Stainless steel    | 0.8mm<br>Stainless steel    | 0.5mm<br>Galvanized sheet | 0.5mm<br>Galvanized sheet | 3.0mm<br>Antiskid Aluminum | 0.5mm<br>Galvanized sheet |
| CNO-SC08                                    | 0.8mm<br>Stainless steel    | 0.8mm<br>Color steel plate  | 0.8mm<br>Stainless steel    | 0.8mm<br>Color steel plate  | 0.5mm<br>Galvanized sheet | 0.5mm<br>Galvanized sheet | 3.0mm<br>Antiskid Aluminum | 0.5mm<br>Galvanized sheet |
| CNO-SP08                                    | 0.8mm<br>Galvanized steel   | 0.8mm<br>Galvanized steel   | 0.8mm<br>Galvanized steel   | 0.8mm<br>Galvanized steel   | 0.5mm<br>Galvanized sheet | 0.5mm<br>Galvanized sheet | 3.0mm<br>Antiskid Aluminum | 0.5mm<br>Galvanized sheet |
| CNO-SA08                                    | 0.8mm<br>Embossed aluminium | 0.8mm<br>Embossed aluminium | 0.8mm<br>Embossed aluminium | 0.8mm<br>Embossed aluminium | 0.5mm<br>Galvanized sheet | 0.5mm<br>Galvanized sheet | 3.0mm<br>Antiskid Aluminum | 0.5mm<br>Galvanized sheet |
| CNO-CB08                                    | 0.8mm<br>Color steel plate  | 0.8mm<br>Color steel plate  | 0.8mm<br>Color steel plate  | 0.8mm<br>Color steel plate  | 0.5mm<br>Galvanized sheet | 0.5mm<br>Galvanized sheet | 3.0mm<br>Antiskid Aluminum | 0.5mm<br>Galvanized sheet |

Examples of Cold Storage Types:

CNO      SS      08  
 Right angle series      Stainless steel      Surface metal thickness

- Add "C" after the model to indicate that the corner of the ceiling and wall panels and wall panels of the cold storage adopts rounded corner technology, and the wall panels and floor are mined. The right angle process is used.
- Add "F" after the model to indicate that the corner of cold storage floor and wallboard and wallboard is made by rounded angle technology, and the right angle technology is used for wallboard and floor.
- The "W" is added after the model to indicate that the corner of the wall plate of the cold storage adopts the rounded corner process, while the right angle process is used for the wall plate and floor, wall plate and ceiling.
- Add "R" after the model to indicate that the cold storage ceiling and wallboard, wallboard corner, wallboard and floor adopt rounded corner technology.
- Add "1" after model to indicate B1 flame retardant grade, and add "2" after model to indicate B2 flame retardant grade.
- "H" is added after the model to indicate that the cold storage process adopts a concealed structure.
- Adding "X" after the model indicates that the floor of the cold storage is made of XPS thermal insulation material.
- "K" is added after the model to indicate that the "KASON" hinge imported from the United States is used for the cold storage door.
- Add "G" after the model to indicate the addition of glass observation window to the cold storage door.
- Add "B" after the model to indicate that stainless steel anti-collision plate is added to the cold storage door.
- The addition of "T" after the model indicates that the low temperature cold storage (< 5 C) increases the floor antifreeze heating line.



## Hinge door (standard)

### accessories:

- Automatic return door closer\*1
- Automatic Regression Door Hinge\*2
- Cold Storage Door Handle\*1
- Cold Storage Lamp Switch\*1
- Cold Storage Sealant Strip\*1
- Cold Storage Door Side Heating Line\*1
- Cold Storage Balance Window (<-5 C)\*1

### Product cold storage door introduction:

Standard door size: 860x1900H/MM. The door and the wallboard are connected smoothly and should not be convex.

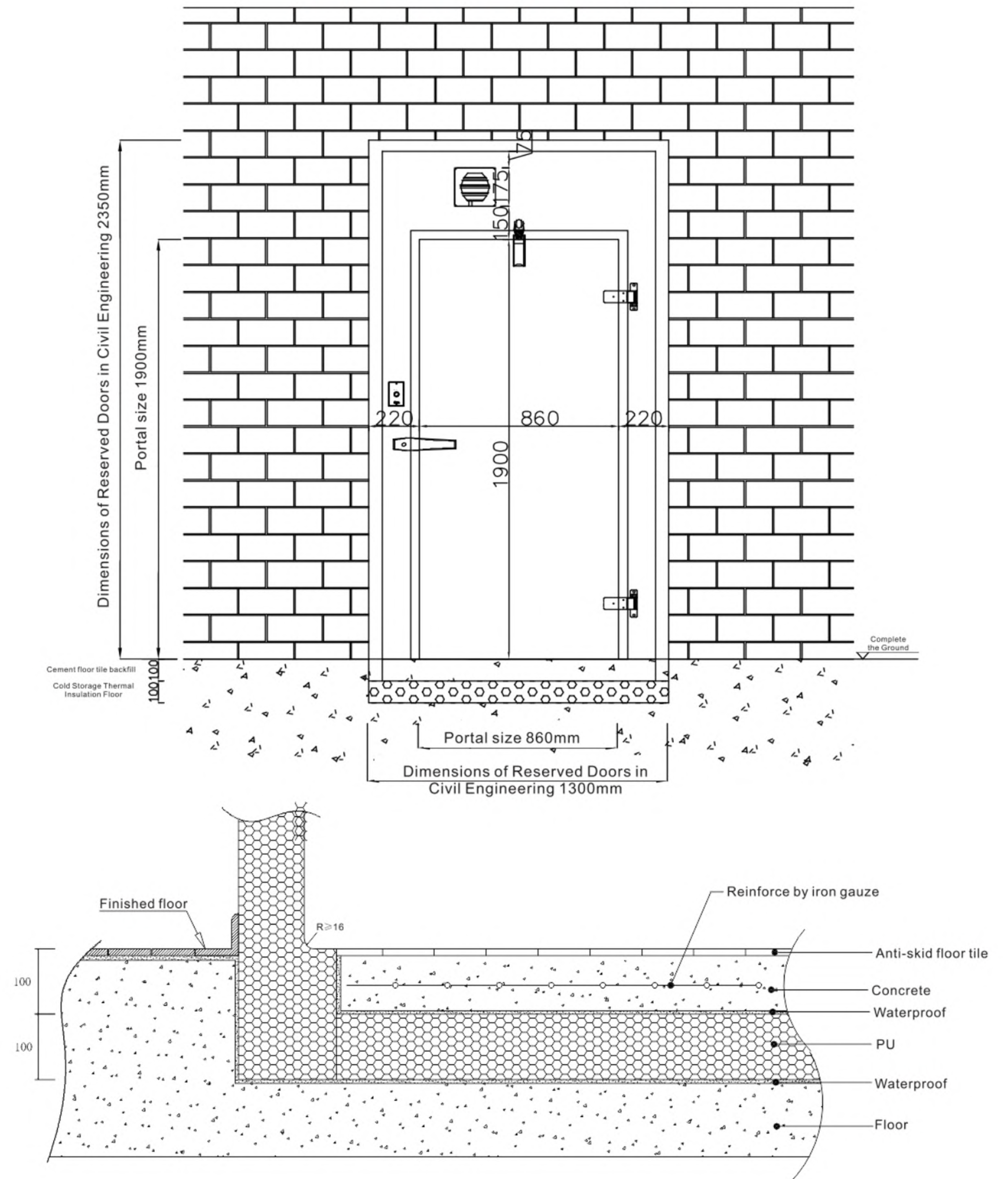
Cold storage door frame is a single door frame without cold bridge, inlaid with low temperature resistant magnetic sealing tape, which has good elasticity and abrasion resistance, can prevent mildew, smooth surface, will not hide dirt and dirt, easy to clean.

The cold storage door frames are equipped with heating lines (220V/1/50Hz) to prevent condensation. The door frame heating line grooves are removable for easy replacement of heating lines.

The lamp switch of the cold storage must be embedded on the door frame. The waterproof grade reaches IP67. The LED ring diaphragm indicator lamp is convenient for viewing the opening and closing of the cold storage lamp outside the library. It is compact and delicate, anti-corrosion and pressure-resistant. The center height is less than 1500 MM from the finished ground. All pipelines must be installed in the door frame and not exposed.



## Hinge door (standard) Schematic diagram of mechanism



Civil construction sketch of platform refrigeration and refrigeration Depot



**Hinge door (The high-end version) accessories:**

- Automatic return door closer\*1
- Automatic Regression Door Hinge\*2
- Cold Storage Door Handle\*1
- Cold Storage Lamp Switch\*1
- Cold Storage Sealant Strip\*1
- Cold Storage Door Side Heating Line\*1
- Cold Storage Balance Window (<-5 C)\*1
- Visual window\*1
- Anti-collision plate\*1

**Product cold storage door introduction:**

High matching door size: 860x1900H/MM. The door and the wallboard are connected smoothly and should not be convex. The high distribution cold storage door has the following functions on the basis of the standard cold storage door:

Imported KASON adjustable automatic closing door hinges are adopted. Model 1346. The door hinges can adjust the clearance between left and right sides of the door frame horizontally. Cam-rise technology helps to close the door and reduce washer wear. When the cold storage floor is uneven, the door inclines and affects the opening of the door, the micro-adjusting screw is used to adjust it.

Imported KASON door closer, model: 1094, hydraulic door closer, equipped with powerful Gas-loaded hydraulic cylinder, ensure control closure, unique solid steel enclosure and bending hook, ensure long-term wear and mass use, through life cycle testing, reliable operation to 500,000 switches.

Imported KASON door handle, model: 1236, function: powerful lever action can easily overcome high-strength magnetic seal and release grinding door, more easily open the warehouse door; the door lock has cylinder lock and padlock two safety modes, completely hidden installation, prevent tampering, ensure the safety of food in the warehouse. The cold storage door is equipped with a safety lock which can be opened internally to ensure the safety of trapped persons.

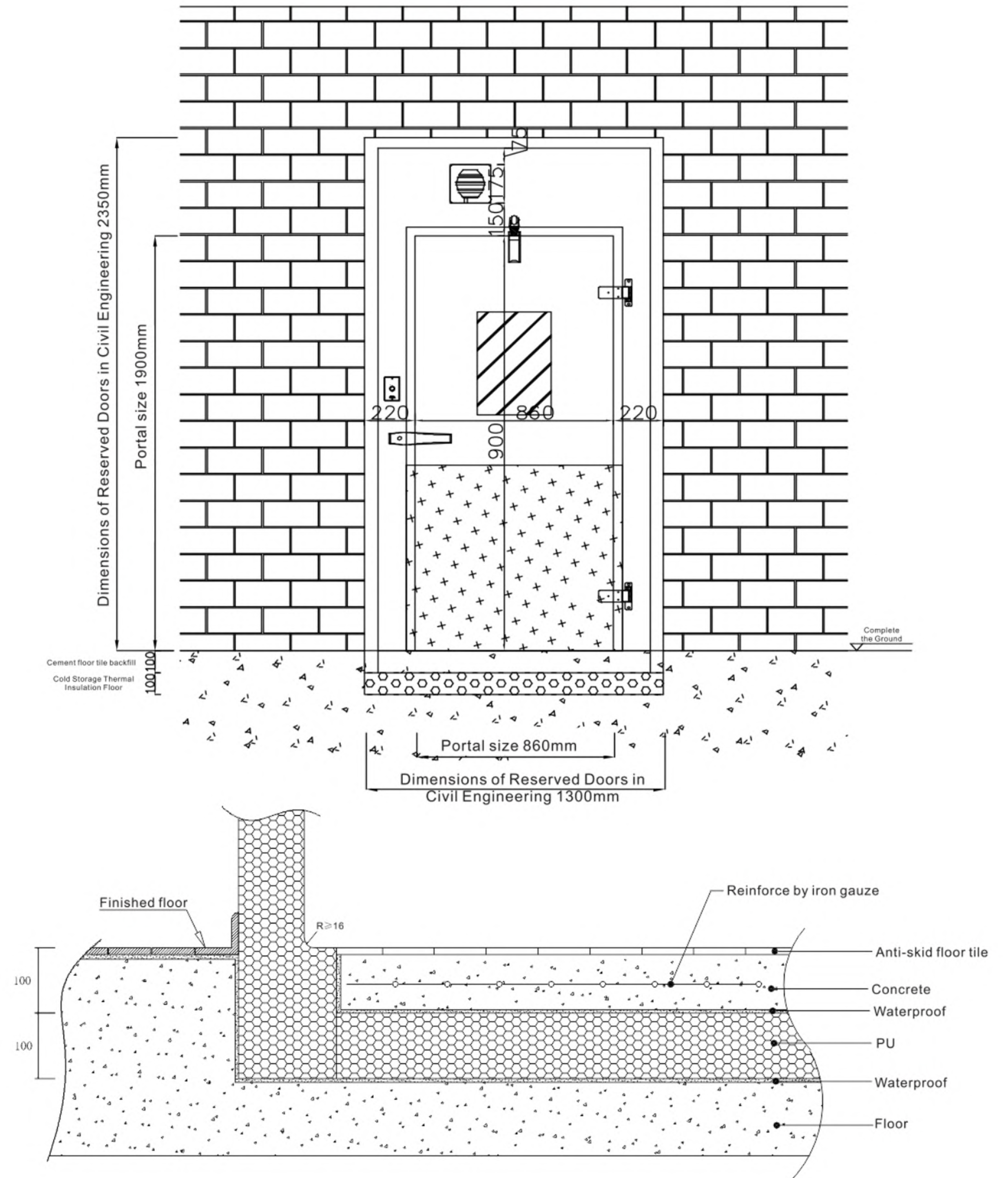
Cold Storage Door Configuration: 320\*470mm fog-proof observation window to prevent collision of personnel outside the warehouse when the warehouse door is opened, and to observe the situation inside and outside the warehouse, so as to effectively prevent the occurrence of safety accidents.

Collision-proof stainless steel plate (size: W930mm\*H900mm) should be installed on the front of the cold storage door to prevent external force from colliding with the cold storage door plate.

The surface material of the cold storage door is scratched or deformed to ensure the smoothness and service life of the cold storage door.



**Hinge door (The high-end version) Schematic diagram of mechanism**



**Civil construction sketch of platform refrigeration and refrigeration Depot**



### Sliding door



#### Product cold storage door introduction:

Gate size: Gate size: 1000x1900H/MM.

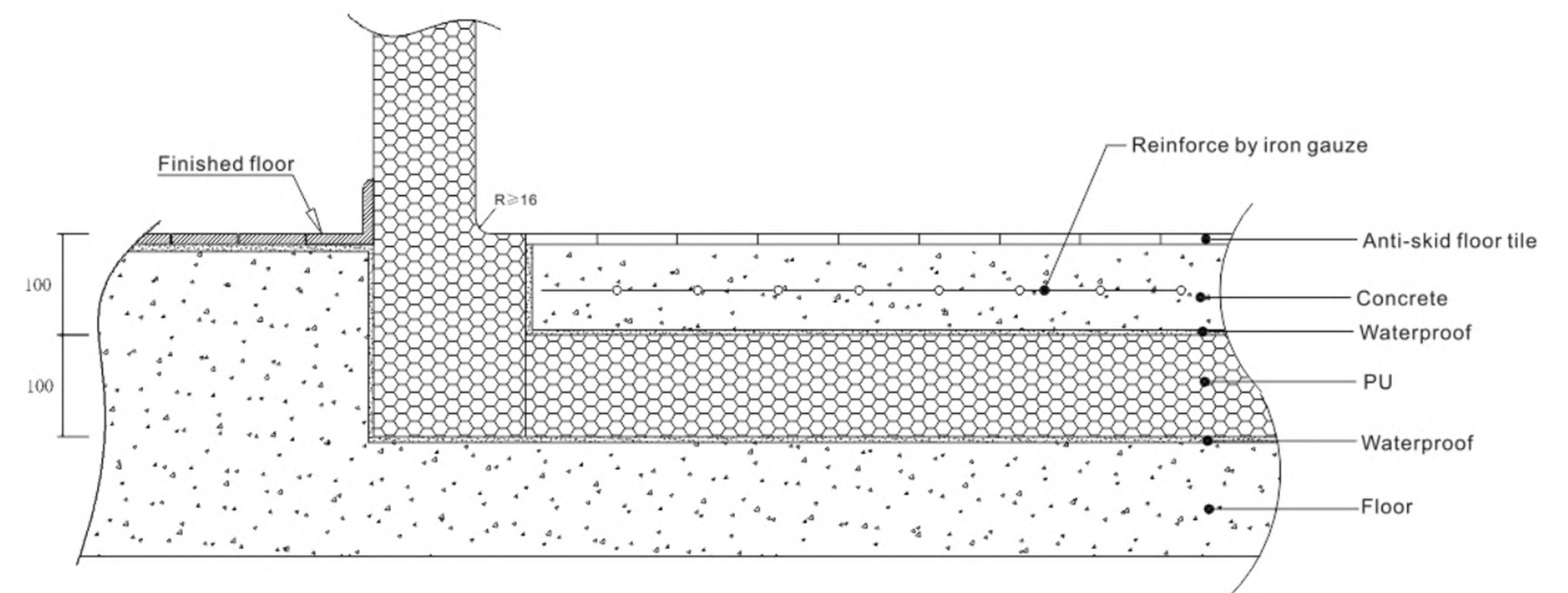
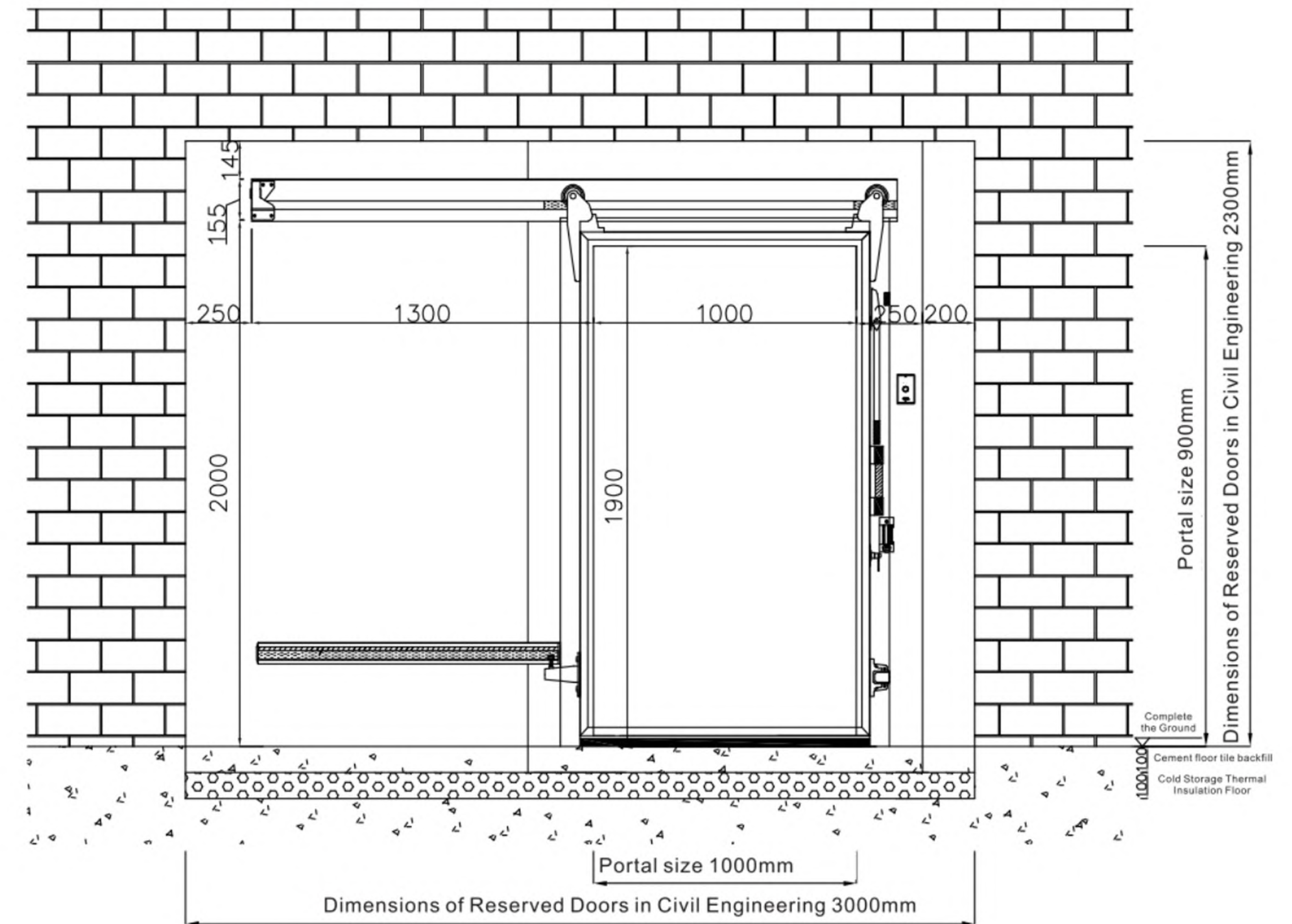
Manual translation door locks adopt Italian Intertecnica brand, model: 9500HP, suitable for manual and automatic sliding doors, fast and easy to install, using composite materials, surface easy to clean, low temperature and corrosion resistance (patent), compatible with European standard cylinders. The internal phosphorescent safety button is fixed on the door frame, and can be pushed by the internal safety button to avoid people trapped in the cold storage. The tamper-proof function makes it impossible to disassemble the door lock when the door closes.

Cold storage door frames are equipped with heating lines (220V/1/50Hz) to prevent condensation, with overheating protection device, temperature control at 65 °C.

When it exceeds, it will automatically disconnect to prevent the door frame temperature from overheating and deformation, ensure the tightness of the door, and the door frame heating line groove can be disassembled to facilitate the replacement of the heating line.

The lamp switch of the cold storage must be embedded on the door frame. The waterproof grade reaches IP67. The LED ring diaphragm indicator lamp is convenient for viewing the opening and closing of the cold storage lamp outside the library. It is compact and delicate, anti-corrosion and pressure-resistant. The center height is less than 1500 MM from the finished ground. All pipelines must be installed in the door frame and not exposed.

### Sliding door Schematic diagram of mechanism



Civil construction sketch of platform refrigeration and refrigeration Depot



### Cold Storage Double Open Free Door



### Cold Storage Glass Door



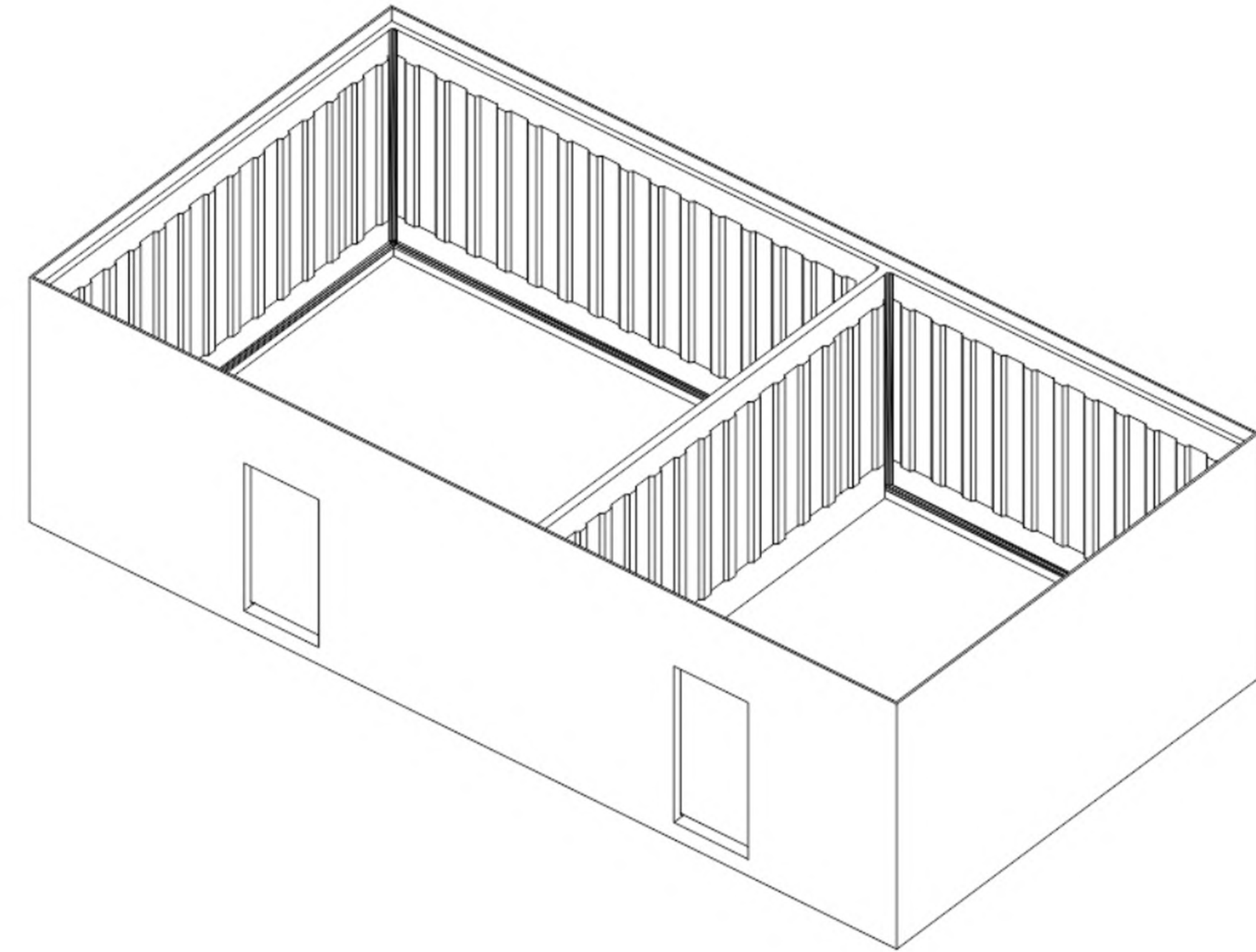
### Electric sliding door



### Sliding industrial door



### Structural sketch of wave plate in cold storage:



### Cold Storage Wave Plate:



The advantages of wave plate in cold storage are as follows:

Improve the flow of cold air in the warehouse, avoid the problem of blocking the flow of cold air and affecting the quality of refrigeration.



## BLAST CHILLERS/FREEZERS

### BLAST CHILLER AND FREEZER:

Blast chiller and freezer is a quick freezing refrigeration equipment, guarantee the food's nutrition, taste and freshness, keep food standard 90°C to 3°C in 90 minutes. 90 °C to - 18 °C in 4 hours. Blast chiller and freezer is suitable for hotel, supermarket, hospital, etc.



### Versatility:

Functions such as the control of positive and negative blast chilling cycles, both temperature and time controlled, as well as special cycles (fish sanitification, thawing, ice-cream hardening, etc...) are only a few of the features that make the controller suitable to manage different kinds of blast chillers.



### Features:

1. Stylish design, easy to clean.
2. High quality stainless steel exterior and interior for durability and strength.
3. Designed for remote refrigeration system.
4. Coated evaporator coils for durability and performance.
5. Controllers for "top-class" blast chillers, with 5 or 7-inch colors touch-screen TFT graphic display, in split version and which can be integrated into the unit.



## Blast chiller and freezer Parameters Table



### Specifications:

| MODEL                  | OMBC1201-W       | OMBC1201-I     | OMBC2402-W       | OMBC2402-I     | OMBC3602-W       | OMBC3602-I     |
|------------------------|------------------|----------------|------------------|----------------|------------------|----------------|
| DIMENSION W*D*H        | 1480x1400x2300   | 1480x1400x2400 | 1480x2581x2300   | 1480x2581x2400 | 1480x3762x2300   | 1480x3762x2400 |
| CHILING CYCLE          | +90/+3°C         | +90/+3°C       | +90/+3°C         | +90/+3°C       | +90/+3°C         | +90/+3°C       |
| FREEZING CYCLE         | +90/-18°C        | +90/-18°C      | +90/-18°C        | +90/-18°C      | +90/-18°C        | +90/-18°C      |
| 90 min                 | 120kg            | 120kg          | 240kg            | 240kg          | 360kg            | 360kg          |
| 240 min                | 90kg             | 90kg           | 160kg            | 160kg          | 210kg            | 210kg          |
| REFRIGERATION CAPACITY | 9650W*           | 9650W*         | 16300W*          | 16300W*        | 24600W*          | 24600W*        |
| POWER SUPPLY           | 400/3/50         | 400/3/50       | 400/3/50         | 400/3/50       | 400/3/50         | 400/3/50       |
| POWER                  | 15.8A            | 15.8A          | 31.6A            | 31.6A          | 42A              | 42A            |
| ABSORBED CURRENT       | 1 TROLLEY GN 2/1 |                | 2 TROLLEY GN 2/1 |                | 3 TROLLEY GN 2/1 |                |
| TRAYS/INTESTEP         | ---              | ---            | ---              | ---            | ---              | ---            |



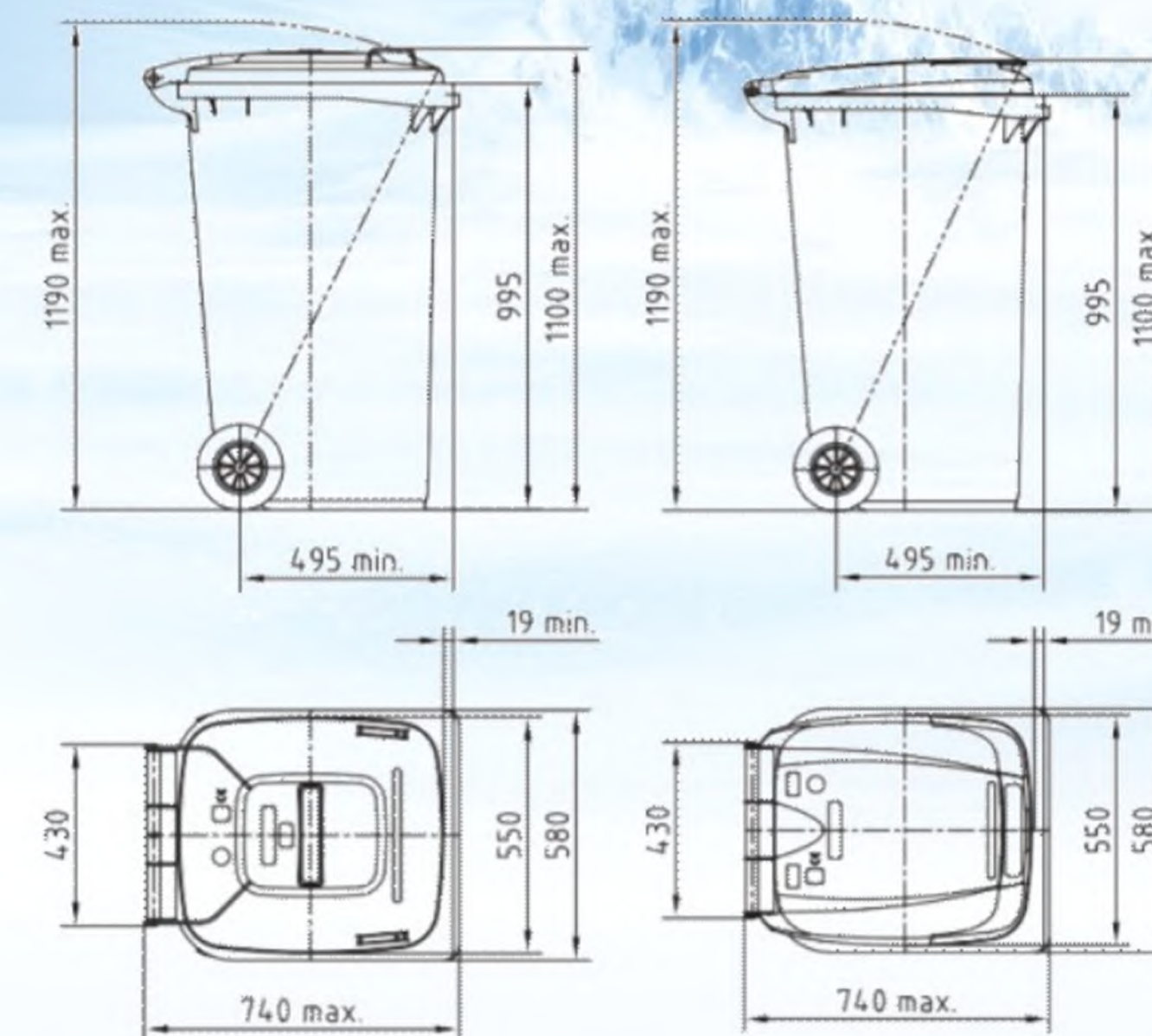
# SOLID WASTE REFRIGERATOR



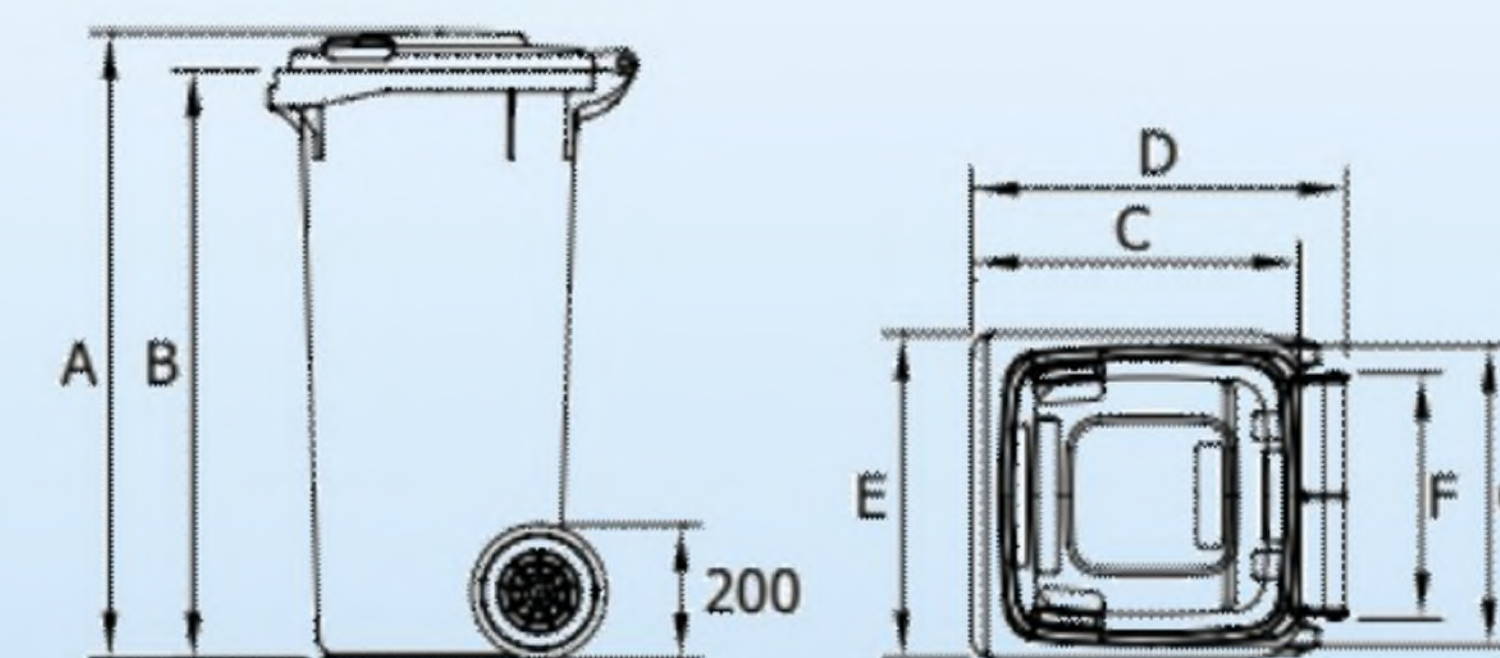
## Specifications:

| MODEL                     | OMBC1201-W    | OMBC1201-I    | OMBC2402-W    | OMBC2402-I    | OMBC3602-W    | OMBC3602-I    |
|---------------------------|---------------|---------------|---------------|---------------|---------------|---------------|
| Dimension(L*D*H)          | 1140x730x1125 | 1710x730x1125 | 2380x730x1125 | 1140x925x1250 | 1910x925x1250 | 2680x925x1250 |
| Height(mm)                | 1450mm        | 1450mm        | 1450mm        | 1590mm        | 1590mm        | 1590mm        |
| Deep(mm)                  | 1310mm        | 1310mm        | 1310mm        | 1460mm        | 1460mm        | 1460mm        |
| Temp(°C)                  | +2°C/+15°C    | +2°C/+15°C    | +2°C/+15°C    | +2°C/+15°C    | +2°C/+15°C    | +2°C/+15°C    |
| Total Capacity(L)         | 340L          | 750L          | 1150L         | 520L          | 1120L         | 1710L         |
| Bucket Capacity(L)        | 1*120L        | 2*120L        | 3*120L        | 1*240L        | 2*240L        | 3*240L        |
| Load(W/V)                 | 440W/230V     | 440W/230V     | 580W/230V     | 440W/230V     | 440W/230V     | 580W/230V     |
| Power Consumption (KW/H): | 1.9KW/24H     | 1.9KW/24H     | 1.9KW/24H     | 1.9KW/24H     | 1.9KW/24H     | 1.9KW/24H     |

# TRASH CAN SPECIFICATIONS



| Nominal | Net weight | Max .load | Permitted total weight |
|---------|------------|-----------|------------------------|
| 240L    | ca. 14kg   | 96kg      | 110 kg                 |



## DIMENSIONS-WEIGHTS-STANDARDS:

|                         |       |
|-------------------------|-------|
| Nominal volume:         | 12L   |
| Net weight:             | 9.3kg |
| Max load:               | 48kg  |
| Permitted total weight: | 60kg  |



|         |         |         |         |
|---------|---------|---------|---------|
| A:930mm | B:870mm | C:480mm | D:545mm |
| E:480mm | F:335mm | G:480mm |         |

Measurements to be used as guide only-variations will occur



Partners



JW Marriott Hotel



Marriott Hotel



Renaissance Hotel



Sheraton Hotel



Aloft Hotel



InterContinental Hotels Group



Crowne Plaza Hotel



Indigo Hotel



Anantara Hotels



Banyan Tree

Partners



Hyatt Hotel



Hilton Hotel



Sofitel Hotel



Kempinski Hotel



Wanda Realm



Rosewood Hotel



Wyndham Hotel & Resorts



Howard Johnson Inn



Jinling Hotel



Evergrande Group



### Project references



JW MARRIOTT HOTEL NINGXIA



RENAISSANCE MARRIOTT SUZHOU YUYANG



MARRIOTT HOTEL SHOUZUO CHENGDU



MARRIOTT HOTEL SHUNDE MIDEA



MARRIOTT HOTEL CHONGQIN



MARRIOTT YOGYAKARTA INDONESIA



MARRIOTT HOTEL CAMBODIA



RENAISSANCE HOTEL SUZHOU



RENAISSANCE HOTEL XIAN



COURTYARD JINAN



COURTYARD TAIZHOU



COURTYARD YINGXIN SHUNDE



FLIPOINT HOTEL FUZHOU



SHANGHAI FLIPOINT GARDEN HOTEL



NANJING FLIPOINT GARDEN HOTEL

### Project references



INTERXONTINENTAL HOTEL SANYA



INDIGO HOTEL XIAMEN



ANANTARA RESORT GUIYANG



CROWNE PLAZA HOTEL KUNMING



CROWNE PLAZA HOTEL NANCHANG



CROWNE PLAZA HOTEL CHENGDU



CROWNE PLAZA HOTEL HILIN ISLAND



HILTON HOTEL GUIYANG



SHEATON HOTEL SHENZHEN



HILTON HOTEL HESHAN



ALOFT HOTEL SHANGHAI



SHEATON HOTEL SHANGDONG



HILTON HOTEL CHONGQIN



SHEATON HOTEL GUIZHOU



SHEATON HOTEL FUZHOU



Project references



KEMPINSKI HOTEL NANJING



ROSEWOOD SANYA



WYNDHAM HOTEL YUZHOU



WYNDHAM HOTEL HAINAN WENCHANG



HOWARD JOHNSON HOTEL LINYI



HOWARD JOHNSON HOTEL HAINAN



PULLMAN HOTEL SHANGHAI QINPU



PULLMAN HOTEL NEIMENG BAOTOU



SOFITEL HOTEL GUANGZHOU



HYATT HOTEL CHONGQIN



HYATT HOTEL GUIYANG



HAYTT PLACE HOTEL CHANGSHA



WENLIN YAODA INTERNATIONAL HOTEL



DONGHUA INTERNATIONAL HOTEL



HAYTT PLACE HOTEL ZHUHAI

Project references



GRAND HOTEL NANNING



TAIBAI HOLIDAY HOTEL



SANYA MANGROVE HOTEL



NANJING JINLIN RESTAURANT



XIHU HOTEL FUJIAN



JUCHUNYUAN EXHIBITION HOTEL FUZHOU



GUIYANG CONVENTION & EXHIBITION CENTER



XIAMEN INTERNATIONAL CONFERENCE & EXHIBITION CENTER



HI-TECH INTERNATIONAL CONVENTION CENTER



JINHUA WANDA PLAZA



WANDA THEME PARK HEFEI



CHINA MOBILE CENTER HUAIAN



CHINA MOBILE CENTER LUOYANG



CAMRANH AIRPORT VIETNAM



NOIBAI AIRPORT VIETNAM